

S E (Comp) sem - III | Choice Base | 11/12/2018

Q. P. Code : 26300

(3 Hours)

(Total Marks: 80

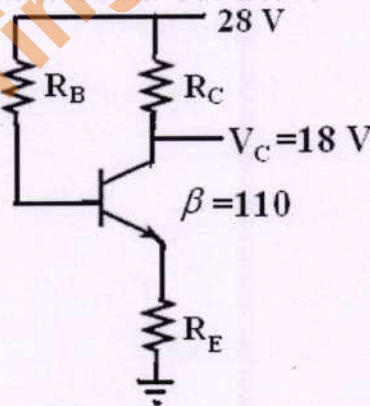
- N.B. :** 1. Question **ONE** is compulsory.
 2. Solve any **THREE** out of remaining questions.
 3. **Draw neat and clean diagrams.**
 4. Assume suitable **data** if required.

- Q. 1. A. Explain the concept and significance of CMRR and Slew Rate in case of op-amps. **5**
 B. Given $\beta=120$ and $I_E=3.2$ mA for a common-emitter configuration with $r_0=\infty \Omega$, determine:
 (a) Z_i
 (b) A_v if a load of 2 k Ω is applied.
 (c) A_i with the 2 k Ω load. **5**
 C. Discuss the factors that influence modulation index of an FM wave. **5**
 D. Justify that adaptive delta modulation superior to delta modulation. **5**
- Q. 2 A. The emitter bias configuration as shown in following figure has the specifications:

$$I_{CQ} = \frac{1}{2} I_{Csat} \quad I_{Csat} = 8 \text{ mA} \quad V_C = 18 \text{ V} \quad \text{and} \quad \beta = 110$$

Determine R_C , R_E and R_B .

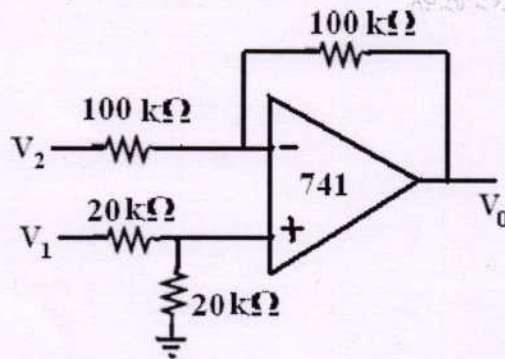
10



- B. Explain how op-am can be used comparator and zero crossing detector. **10**

TURN OVER

- Q. 3 A. What is the source of the leakage current in a transistor?
 If the emitter current of a transistor is 8 mA and I_B is 1/100 of I_C , determine the levels of I_C and I_B . 5
- B. Draw and explain Colpitts oscillator. 5
- C. Explain principle of FDM. 5
- D. Determine the output voltage for the circuit if $V_1=5V$ and $V_2=3V$



- Q. 4 A. What is DSBSC wave and explain its generation using balanced modulator. 10
- B. What is multiplexing in communication system? Draw block diagram of TDM-PCM system and explain. 10
- Q. 5 A. State Shannon's theorem on channel capacity.
 What is the maximum capacity of a perfectly noiseless channel whose bandwidth is 120 Hz, in which the values of the data transmitted may be indicated by any one of the 10 different amplitudes? 10
- B. With respect to neat diagram explain the elements of analog communication system. 10
- Q. 6 A. What is meant by Nyquist rate in sampling and explain its significance. 5
- B. Give the proper definition for entropy and information rate. 5
- C. Write short note on op-amp as differentiator. 5
- D. Differentiate between Class A and Class C power amplifiers with respect to circuit diagram, operating cycle and power efficiency. 5